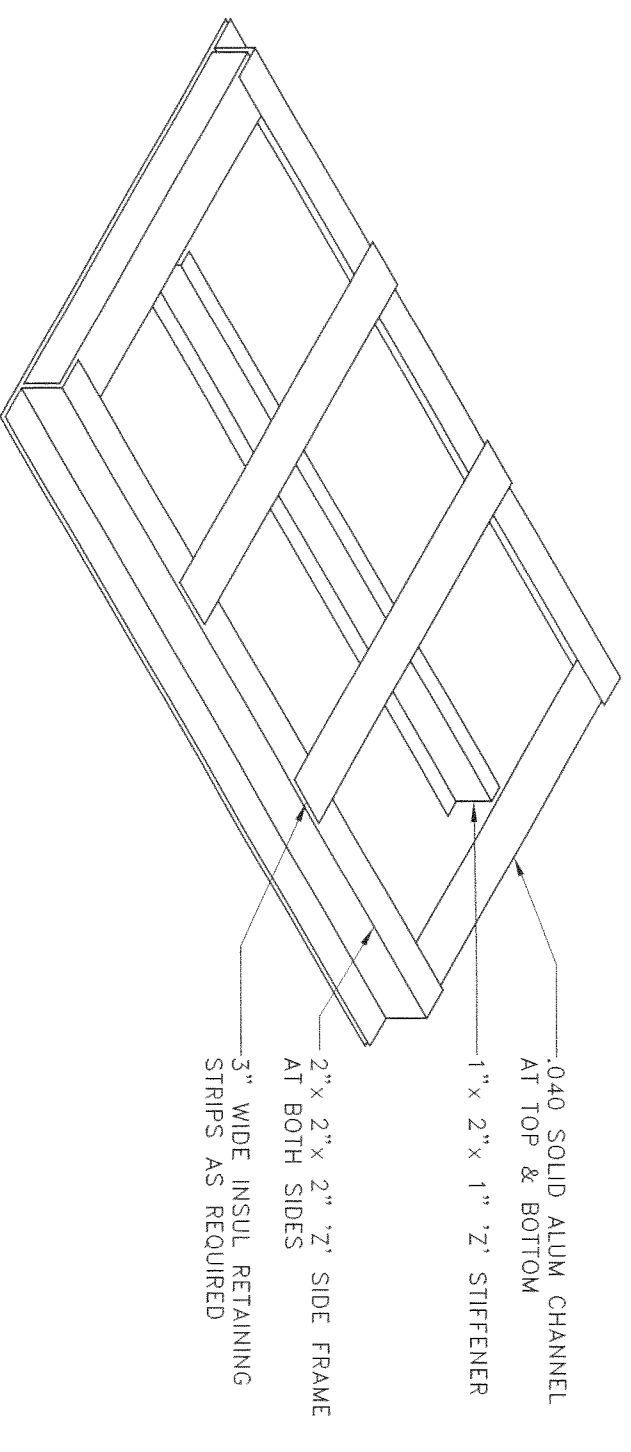


2" THICK ACOUSTICAL PANEL, FLANGED ON SIDES FOR MOUNTING INTO EXISTING STEEL FRAMEWORK, (24) PANELS, APPROX 46 1/2" x 95", .040 PERFORATED ALUM FACE, .050 SOLID ALUM FRAME, STIFFERS, AND INSUL RETAINING STRIPS, BAGGED MINERAL GLASS FIBER FILL WITH ACOUSTICAL STAND-OFF, POWDER COAT FINISH IN A STOCK, STANDARD, NON-CUSTOM, NON-METALLIC COLOR AS SELECTED FROM THE STANDARD COLOR CHART.

FASTEN PANELS TO FRAMEWORK WITH #12 x 1" TEK SCREWS, 12" O.C. MAX

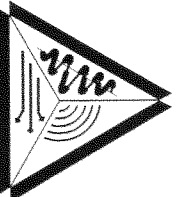


**PANEL ASSEMBLY**  
 BACK OF PANEL SHOWN,  
 BAGGED FILL & ACOUSTICAL  
 STAND-OFF NOT SHOWN

**ACOUSTICAL PANEL INSTALLATION**

DATE	ACTION	DRAWN BY	CHECKED BY
6-9-10	PRELIMINARY PROPOSAL	JP	

JOB NAME: GENERATOR SCREEN WALL  
 TITLE: ACOUSTICAL BARRIER  
 DATE: 6-9-10  
 JOB NO: \_\_\_\_\_  
 SCALE: N.T.S.



**NOISE CONTROL SYSTEMS**

SHEET  
1 OF 1